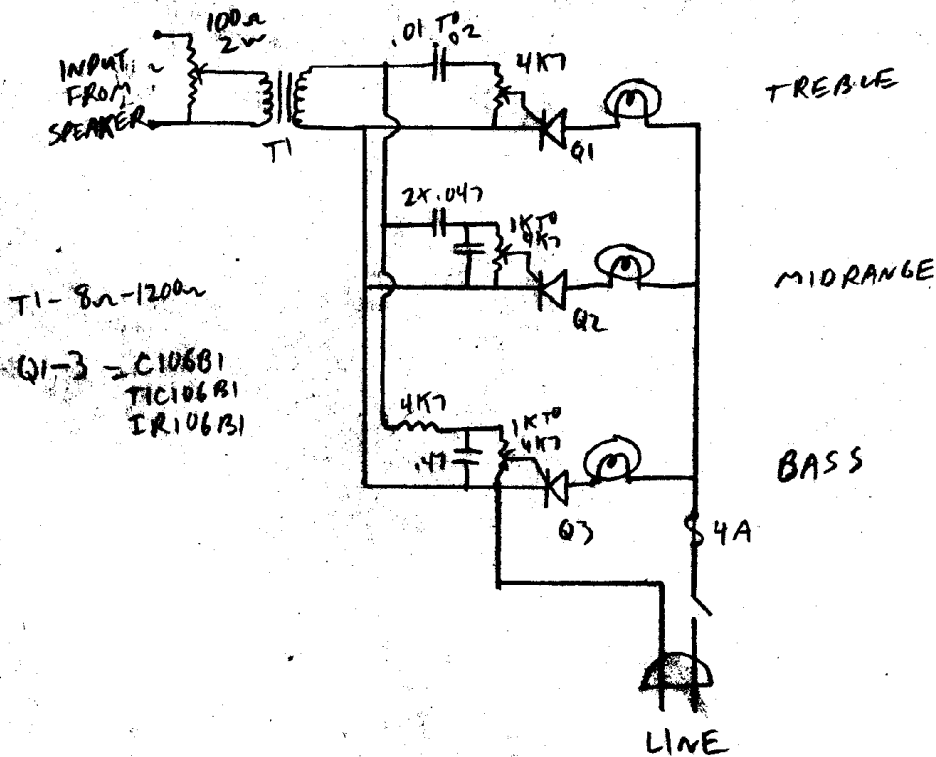


3 CHANNEL S/L UNIT
 MAXIMUM 200W LAMP LOAD PER CHANNEL



DEVELOPED
 October 1971
 D. Arsen.

DRAWN
 Aug. 24/77

CAUTION
HIGH VOLTAGE